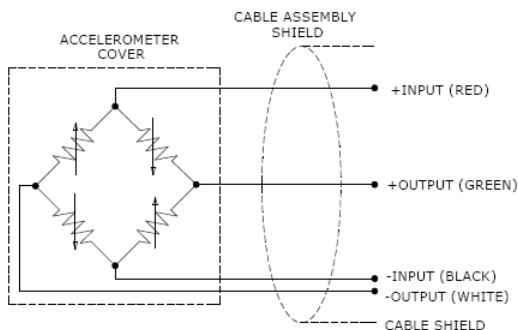
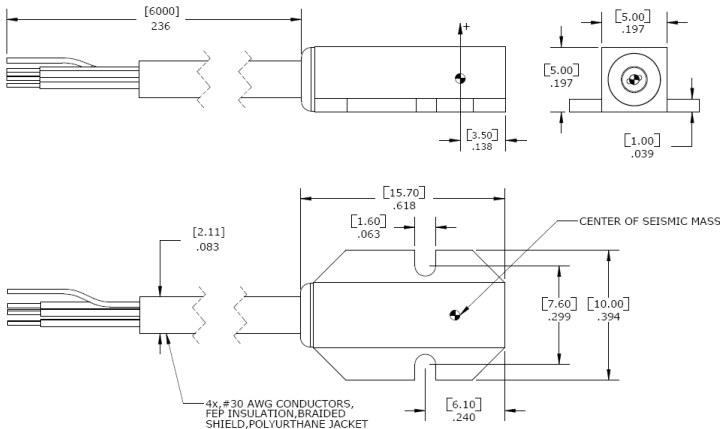


DIMENSIONS



MODEL EGCS-S425 ACCELEROMETER

SPECIFICATIONS

- Range ± 50 to $\pm 2000g$
- Critically Damped
- Internally Compensated
- ISO 6487 Compliant

The Model EGCS-S425 is a small, ISO 6487 and SAE J211 compliant piezoresistive accelerometer. This unit features internal temperature compensation, anodized aluminum alloy housing and flexible cable output. This sensing element is damped with fluid to extend useful frequency range and reduce the effect of high frequencies.

FEATURES

- Fluid Damping
- Ranges from $\pm 50g$ to $\pm 2000g$
- Flexible Cable
- $-20^{\circ}C$ to $+80^{\circ}C$ Temperature Range
- Built-in mechanical stops
- Low zero offset $< \pm 10$ mV
- Internal Temperature Compensation
- 10Vdc Excitation with $\pm 150mV$ Output

APPLICATIONS

- Auto Safety Testing
 - Crash
 - Sled
 - Dummy
- Pedestrian Impact
- Dummy Head Impact

PERFORMANCE SPECIFICATIONS

All values are typical at ±24°C, 100Hz and 10Vdc excitation unless otherwise stated. Measurement Specialties reserves the right to update and change these specifications without notice. Standard product parameters are described in PSC-1004 for Plug & Play DC Accelerometers.

RANGES AND OUTPUTS:

g range "FS"	g over- range limit	Attenuation Fh	Attenuation Fn	Attenuation 2Fh	Natural Frequency Minimum
		At 180 Hz	At 300 Hz	At 360 Hz	Min.
±50	±5000	±0.5dB	+0.5dB / -2dB	+0.5dB / -4dB	1 kHz
		At 600 Hz	At 1000 Hz	At 1200 Hz	
±100	±5000	±0.5dB	+0.5dB / -2dB	+0.5dB / -4dB	1.5 kHz
		At 1000 Hz	At 1650 Hz	At 2000 Hz	
±250	±10000	±0.5dB	+0.5dB / -2dB	+0.5dB / -4dB	2.5 kHz
		At 1200 Hz	At 2000 Hz	At 4000 Hz	
±500	±10000	±0.2dB	+0.2dB / -1dB	<+0.35dB	4.5 kHz
±1000	±10000	±0.2dB	+0.2dB / -1dB	<+0.35dB	6 kHz
±2000	±10000	±0.2dB	+0.2dB / -1dB	<+0.35dB	10 kHz

□

DYNAMIC

	Value	Unit	Notes
Full Scale Output	±150	mV	Nominal (Min ±100, Max ±225)
Non-Linearity and Hysteresis	< ±1	%FSO	
Transverse Sensitivity	1	%	Nominal
Zero Acceleration Output	±10	mV	
Thermal Zero Shift (TZS)	±3	mV	
Thermal Sensitivity Shift (TSS)	< ±0.1	% / °C	
Damping Ratio	0.7		Nominal

ELECTRICAL

Voltage Excitation	10	Vdc	Alternate excitations available
Input Resistance	2000	Ω	Nominal
Output Resistance	1000	Ω	Nominal

PHYSICAL

Weight Without Cable	< 5	Grams	Standard cable length = 6 meters
Case Material			Anodized aluminum
Cable			4x #30 AWG, FEP Insulated, Braided Shield, TPU Jacket

ENVIRONMENTAL

Operating Temperature	-20 to +80	°C	
-----------------------	------------	----	--

MODEL EGCS-S425 ACCELEROMETER

Compensated Temperature Range -10 to +50 °C
Humidity Epoxy sealed, IP61

OPTIONS AND ACCESSORIES

Calibration supplied: CS-FREQ-0100 NIST Traceable Amplitude Calibration

Optional accessories: AC-A04208 Triaxial Mounting Block
121 3-Channel Precision Low Noise DC Amplifier
140 Auto-zero Inline Amplifier

The information in this sheet has been carefully reviewed and is believed to be accurate; however, no responsibility is assumed for inaccuracies. Furthermore, this information does not convey to the purchaser of such devices any license under the patent rights to the manufacturer. Measurement Specialties, Inc. reserves the right to make changes without further notice to any product herein. Measurement Specialties, Inc. makes no warranty, representation or guarantee regarding the suitability of its product for any particular purpose, nor does Measurement Specialties, Inc. assume any liability arising out of the application or use of any product or circuit and specifically disclaims any and all liability, including without limitation consequential or incidental damages. Typical parameters can and do vary in different applications. All operating parameters must be validated for each customer application by customer's technical experts. Measurement Specialties, Inc. does not convey any license under its patent rights nor the rights of others.

ORDERING INFORMATION

EGCS – S425 – 100 – /Z1/L2M/C
| | Options, otherwise leave blank
contact factory |
with length in meter | Range (100 is 100g)

with value of % Range
50% FS)

Example: EGCS-S425-2000-/L2M
Model EGCS-S425, 2000g Range, 2 Meter Cable Length

Excitation Voltage: Standard = 10Vdc
V* = Non standard,
Special Cable Length: L00M = Replace "00"
Connector Wired to Cable: Contact Factory
Dallas ID Module: Contact Factory
Shunt Calibration: RCAL00 = Replace "00"
(ex. RCAL50;

NORTH AMERICA

Measurement Specialties, Inc.,
a TE Connectivity Company
1000 Lucas Way
Hampton, VA 23666
Sales and Customer Service
Tel: +1-800-745-8008 or
+1-757-766-1500
Fax: +1-757-766-4297
t&m@meas-spec.com

Stig Wahlström
Automatik
Box 64, 123 22 FARSTA, Sweden
Phone:+46(0)8 683 33 00 Fax:+46[0]8 605 81 746
Visit us at www.wahlstrom.se

ASIA

Measurement Specialties (China), Ltd.,
a TE Connectivity Company
No. 26 Langshan Road
Shenzhen High-Tech Park (North)
Nanshan District, Shenzhen 518057
China
Sales and Customer Service
Tel: +86 755 3330 5088
Fax: +86 755 3330 5099
t&m@meas-spec.com

TE.com/sensorsolutions

Measurement Specialties, Inc., a TE Connectivity company.

Measurement Specialties, TE Connectivity, TE Connectivity (logo) and EVERY CONNECTION COUNTS are trademarks. All other logos, products and/or company names referred to herein might be trademarks of their respective owners.

The information given herein, including drawings, illustrations and schematics which are intended for illustration purposes only, is believed to be reliable. However, TE Connectivity makes no warranties as to its accuracy or completeness and disclaims any liability in connection with its use. TE Connectivity's obligations shall only be as set forth in TE Connectivity's Standard Terms and Conditions of Sale for this product and in no case will TE Connectivity be liable for any incidental, indirect or consequential damages arising out of the sale, resale, use or misuse of the product. Users of TE Connectivity products should make their own evaluation to determine the suitability of each such product for the specific application.

© 2015 TE Connectivity Ltd. family of companies All Rights Reserved.